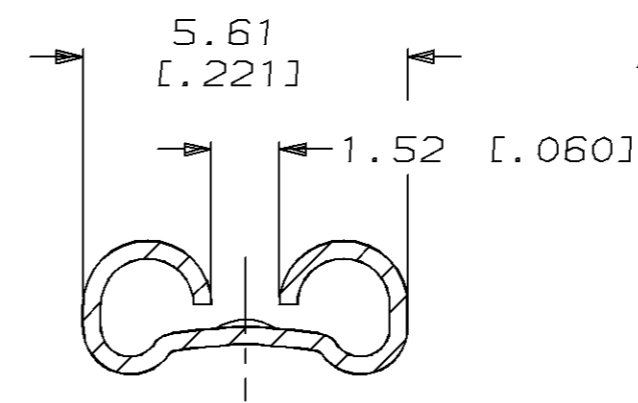
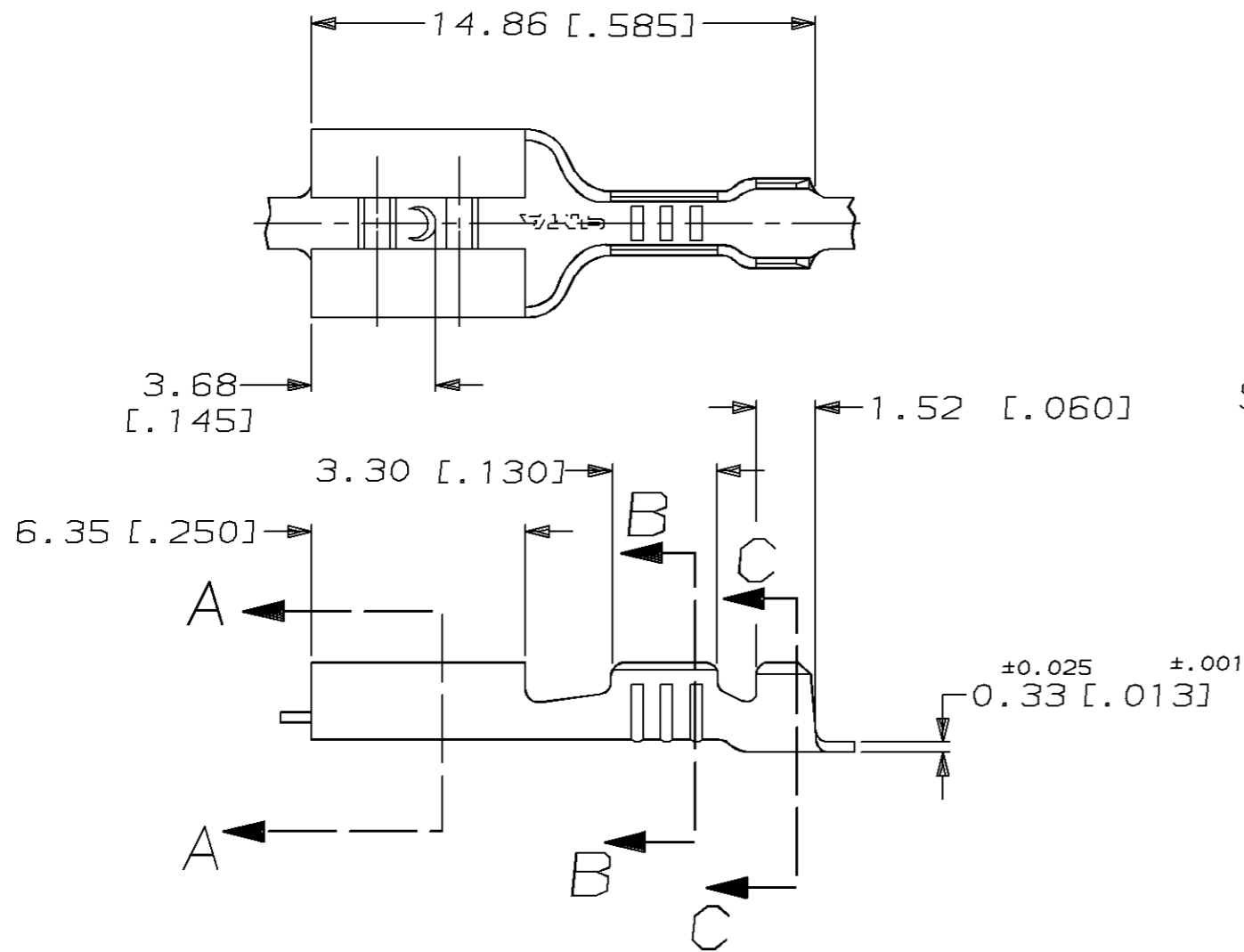


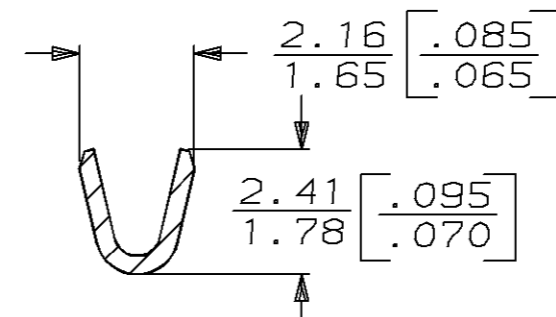
THIS DRAWING IS UNPUBLISHED. RELEASED FOR PUBLICATION, 19 .  
 © COPYRIGHT 19 BY AMP INCORPORATED. ALL INTERNATIONAL RIGHTS RESERVED.

| LOC | DIST | P | F | ZONE | LTR | DESCRIPTION          | DATE    | APPD  |
|-----|------|---|---|------|-----|----------------------|---------|-------|
| AF  | 50   |   |   |      | E   | REV PER 0710-0612-94 | 3/21/95 | JR/PD |

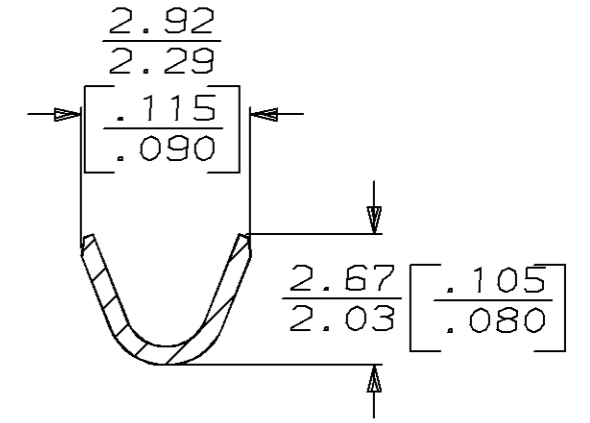
1 CONTINUOUS STRIP ON REELS  
 2 AMP STAMP INFO:  
 P/N 62187-1 STAMPED AMP  
 P/N 62187-2 STAMPED AMP\*



SECTION A-A  
 SCALE 8:1



SECTION B-B  
 SCALE 8:1



SECTION C-C  
 SCALE 8:1

|                                  |  |  |  |                        |
|----------------------------------|--|--|--|------------------------|
| 1.02-1.78 DIA<br>[.040-.070] DIA | 0.2-0.5mm <sup>2</sup><br>[24-20] AWG  | T3 PHOS BRZ<br>H04 BRASS   | 0.51 [.020]  | △ 62187-2<br>△ 62187-1 |
| INSUL. RANGE                     | WIRE SIZE  | MATERIAL   | MATING TAB<br>THK±0.025 [.001]                           | PART NO                |
|                                  | DO NOT SCALE PRINT.<br>UNLESS SPECIFIED<br>DIMENSIONS IN mm [INCHES]<br>TOLERANCES ON:<br>2 PLC DEC ± 0.38 [.015]<br>3 PLC DEC ± -<br>ANGLES ± - | DR 7/9/93<br>JR RUTH<br>CHK 7/9/93<br>MS FEHER<br>APPD 7/9/93<br>P DESANTIS<br>APPD 7/9/93<br>R REINER<br>PRODUCT SPEC - | <b>AMP</b> AMP Incorporated<br>Harrisburg, PA 17105-3608 |                        |
|                                  | MATERIAL<br>SEE TABLE  | APPLICATION SPEC -   | NAME<br>RECEPTACLE, FASTON,<br>4.75 [.187] SERIES        |                        |
|                                  | FINISH<br>0.002032 [.000080]<br>MIN TIN  | WEIGHT -   | SIZE<br>B  | CAGE CODE<br>00779     |
|                                  |  |  | DRAWING NO<br>C-62187                                    |                        |
|                                  |  |  | SCALE<br>5:1   | SHEET<br>1 OF 1        |

THIS DRAWING IS A CONTROLLED DOCUMENT FOR AMP INCORPORATED. IT IS SUBJECT TO CHANGE AND THE CONTROLLING ENGINEERING ORGANIZATION SHOULD BE CONTACTED FOR THE LATEST REVISION.